



EDUHEAL FOUNDATION



INTERACTIVE OLYMPIADS

EDUHEAL FOUNDATION CONDUCTS 6 OLYMPIADS ANNUALLY REACHING OUT TO 3,500 + SCHOOLS
• 4 LAKH + STUDENTS • 50,000 COORDINATING TEACHERS AND HAVING 500 RESOURCE PERSONS
IN ENGLISH / MATHS / SCIENCE / BIOTECH / COMPUTER / G.K. & 300 REGIONAL COORDINATORS.

WEBSITE : WWW.EDUHEALFOUNDATION.ORG • E-MAIL : EDUHEALFOUNDATION@GMAIL.COM

ICO INTERNATIONAL CYBER OLYMPIAD	NISO NATIONAL INTERACTIVE SCIENCE OLYMPIAD	NIMO NATIONAL INTERACTIVE MATHS OLYMPIAD	NBTO NATIONAL BIOTECHNOLOGY OLYMPIAD	IEO INTERNATIONAL ENGLISH OLYMPIAD	IGO INTERNATIONAL G.K. OLYMPIAD
---	---	---	--	---	--

**INTERNATIONAL
CYBER
OLYMPIAD**

ICO

6
Class

A1
Paper
Code

Academic Partner ——— WWW.EDUSYS.IN

EtG
BOOKS

Creating
SUCCESS
Stories

A Unit of EDUSYS LEARNING MEDIA

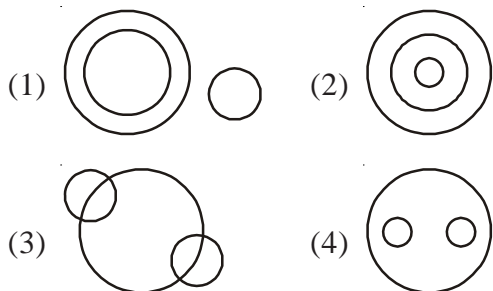
AIEEE • IIT • PMT • OLYMPIADS

IMPORTANT INFORMATION

- You are allowed additional 10 minutes to fill the required details in the **RESPONSE SHEET**.
- The question paper is made as per syllabus guidelines & pattern given in the information Booklet. The Question Paper for Classes 1 to 6 contains 25 Questions each to be answered in 40 minutes. The Question paper for classes 7 to 12 contains 50 Questions each to be answered in 60 minutes. All questions are compulsory. Further instructions are given in the instruction letter to the coordinator teacher.
- Use the response sheet to mark your responses by darkening the required circle. The response sheet has to be returned to the foundation, duly filled in. The student can retain the Question Paper.

MENTAL ABILITY

- Nageena is taller than Pushpa but not as tall as Manish. Reena is taller than Namita but not as tall as Pushpa. Who among them is the tallest?
(1) Manish (2) Pushpa
(3) Namita (4) Nageena
- You have to choose from the following diagrams, the diagram that depicts the correct relationship among the three groups of things.
Living beings, Animals, Men.



- Choose the alternative which most closely resembles the mirror-image of the given combination.

BUZZER

- (1) (2) REZZUB
(3) (4)

- Which number goes in the empty box and completes the puzzle?

3	6	3
10	3	7
8	1	

- (1) 9 (2) 6
(3) 7 (4) None of these
- If 20 men can finish a piece of work in 10 days, how many persons can finish the same job in 4 days?
(1) 20 (2) 30
(3) 40 (4) 50

COMPUTERS

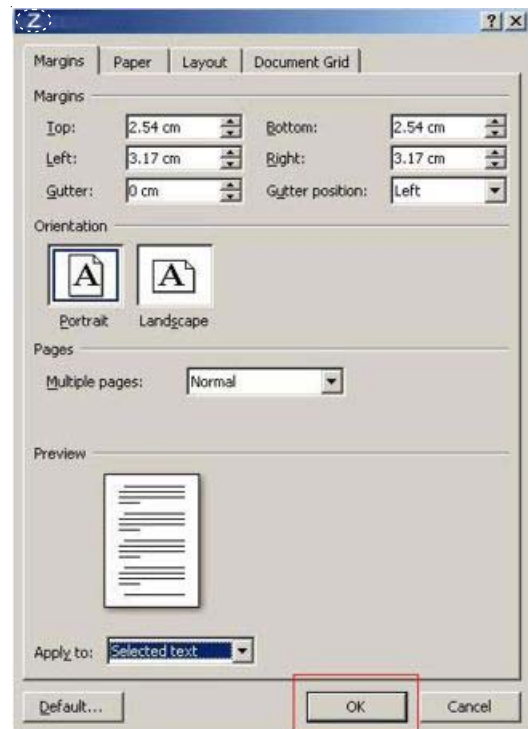
6. The information on a computer is stored in
 - (1) files and folders
 - (2) windows and desktop
 - (3) drives and disks
 - (4) menus and dialog boxes
7. MS Word indicates a spelling error by underlining the text with
 - (1) a green wavy line
 - (2) a red wavy line
 - (3) red dots
 - (4) a blue straight line
8. All formulas in Excel begin with
 - (1) an equal to sign
 - (2) a plus sign
 - (3) a multiplication sign
 - (4) a minus sign
9. To display Tables and Borders toolbar, right click on a toolbar and select
 - (1) Page border tab
 - (2) Line colour
 - (3) Preview
 - (4) Tables and borders
10. Excel creates a new workbook by default by the name of
 - (1) Workbook 1
 - (2) Book 1
 - (3) Mybook 1
 - (4) Book
11. A set of instructions is called
 - (1) Flowchart
 - (2) Program
 - (3) Correct steps
 - (4) Repeated steps
12. A word processing program for typing letters, resumes, school papers and more is _____.
 - (1) MS-Excel
 - (2) MS-Word
 - (3) MS-Outlook
 - (4) None of these
13. The personal-computer industry was started by
 - (1) IBM
 - (2) Apple
 - (3) Compaq
 - (4) HCL
14. Speed of computer is measured in _____.
 - (1) Seconds
 - (2) Nanoseconds
 - (3) Hours
 - (4) None of these
15. _____ key combinations are used to Redo the last action.
 - (1) Ctrl + Y
 - (2) Ctrl + Z
 - (3) Ctrl + X
 - (4) Ctrl + S
16. If a computer is turned off without saving a new document-

- (1) the computer will not be able to restart
- (2) the computer will reboot
- (3) the document will be lost
- (4) the default format will be changed

17. To quit an open program -
 - (1) Click at close button
 - (2) Press Alt + F4
 - (3) File → Exit
 - (4) All of these
18. Which of the following is used to explore the Internet?
 - (1) Browser
 - (2) Spreadsheet
 - (3) Clipboard
 - (4) Draw
19. As ordinary post is slower than e-mail, it is now referred to as
 - (1) Snail mail
 - (2) Tortoise mail
 - (3) Turtle mail
 - (4) Slow mail
20. Web is
 - (1) Part of Internet
 - (2) Different from Internet
 - (3) Same as Internet
 - (4) None of the above

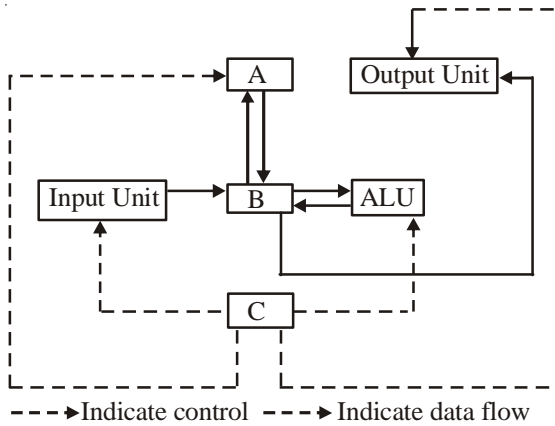
ETG INTERACTIVE SECTION

21. What will come in the place of Z?



- (1) Paragraph
- (2) Page Set Up
- (3) Break
- (4) None of these

22. To name a program for the first time, press
 (1) Alt + F (2) Ctrl + F
 (3) Alt + P (4) Ctrl + P
23. Functioning of computer system is shown below with three unspecified terms A, B and C.



What terms will come at these places respectively?

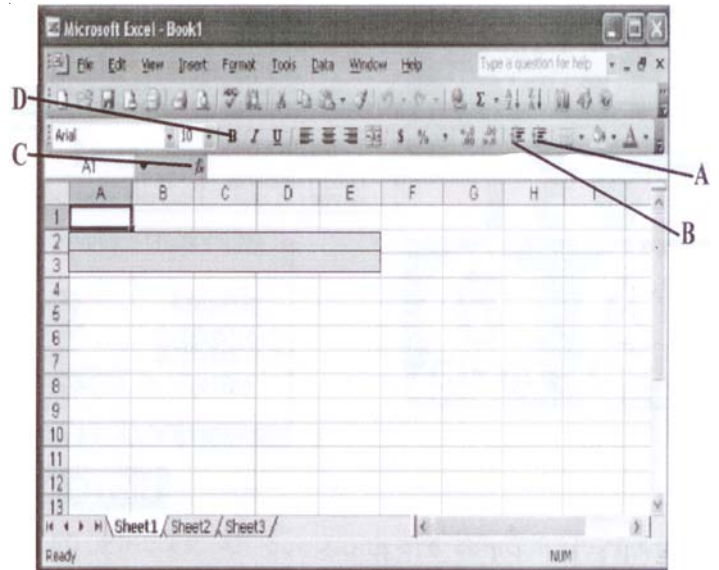
- (1) A – Control Unit, B – Secondary Memory, C – RAM
 (2) A – Secondary Memory, B – RAM, C – Control Unit
 (3) A – RAM, B – Secondary Memory, C – Control Unit
 (4) A – Secondary Memory, B – Control Unit, C – RAM

24.

	A	B	C
3			
4	34		
5			45
6			
7			
8		=A4 + C5	

- (1) Reference formula to add two values of cell A2 and C3 and put total in cell B5.
 (2) Reference formula to multiply two values of cell A4 and C5 and put product in cell B8.
 (3) Reference formula to add two values of cell A4 and C5 and put total in cell B8.
 (4) None of these.

25. Nishtha wants to 'bolden' the text. Which icon she should press to get the desired result?
 (1) A (2) B
 (3) C (4) D



END OF THE EXAM

ROUGH PAGE