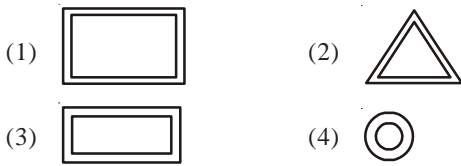


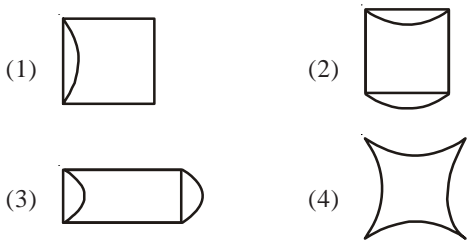
7. Find the odd figure out.



8. Raman starts from his house which faces South and after 100 metres of walking straight turns left. Again he walks 100 metres and turns right. Again he walks 55m and turns right. Which direction is he facing now?

- (1) North (2) South
(3) West (4) None of these

9. Find the odd figure out:



10. What will be the natural order of the following?

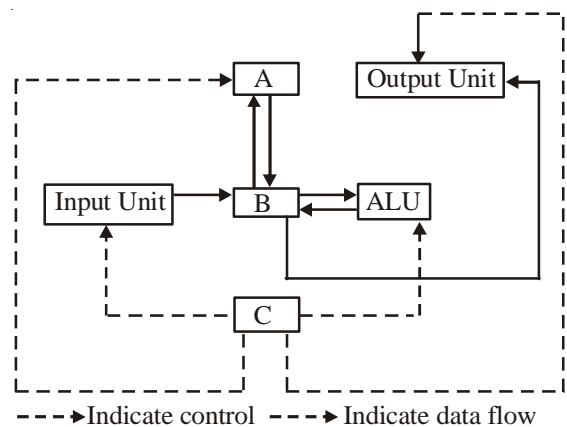
- (A) Independence Day
(B) Christmas
(C) Diwali
(D) Holi
(E) Republic Day
(1) E D A C B (2) E A D C B
(3) D A E C B (4) None of these

COMPUTER

11. A character is represented in EBCDIC by:
(1) One bit (2) Four bits
(3) Eight bits (4) None of these
12. Which of the following are often used to ensure that data has been accurately input into the computer?
(1) Digitizer (2) Light pens
(3) Keyboards (4) None of these
13. Which can read data and convert them to a form that a computer can use?
(1) Logic (2) Storage
(3) Control (4) None of these
14. The only function of a NOT gate is to:
(1) Stop a signal
(2) Reconvert a signal
(3) Invert an output signal
(4) None of these
15. The default paper size and orientation is:
(1) 8.5" × 11" Portrait (2) 9.5" × 12" Portrait
(3) 8.5" × 12" Portrait (4) None of these
16. In MS-Word _____ keys are used for a page break.
(1) Ctrl + Enter (2) Ctrl + Shift
(3) Ctrl + Tab (4) None of these
17. You can copy data or formulas:

- (1) With the copy, Paste and Cut commands on the Edit menu
(2) With commands on a shortcut menu
(3) With buttons on the Standard Toolbar
(4) All of these

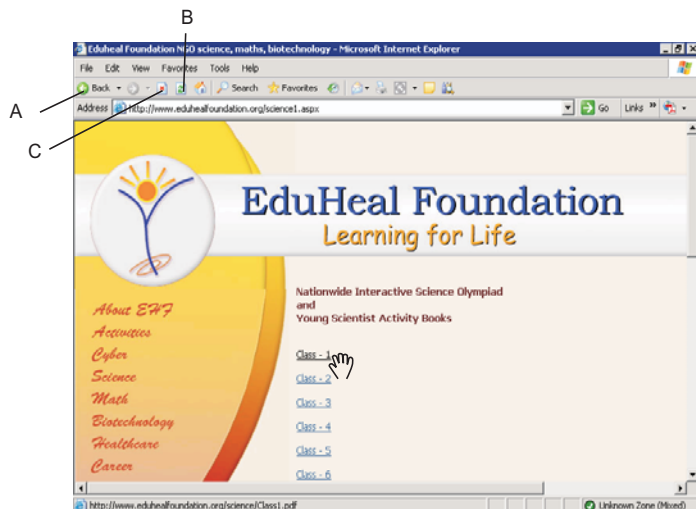
18. If Excel displays the # sign in a cell, it means that
(1) There is an error in a formula
(2) The text entry is too long to fit the column
(3) The number is too long to fit in the column
(4) None of these
19. In window Alt + F4 key combinations is used to _____
(1) to open the help window
(2) Switch the window
(3) Close the window
(4) None of these
20. Minimum _____ RAM or more is required for multimedia application to run.
(1) 10 MB (2) 64 MB
(3) 128 MB (4) None of these
21. In the decimal system $1 + 1 = 2$, but in the binary system $1 + 1 =$
(1) 0 (2) 3
(3) 5 (4) None of these
22. Which of the following is not true?
(1) virtual reality is a 3D movie
(2) Goggles in virtual reality track the eye movements
(3) A computer should possess sound card and speakers to be a multimedia computer
(4) None of these
23. To name a program/file for the first time, press
(1) Alt + F (2) Ctrl + F
(3) Alt + P (4) None of these
24. Functioning of computer system is shown below with three unspecified terms A, B and C. What terms will come at these places respectively?



- (1) A – Control unit, B – Secondary memory, C – RAM
(2) A – Secondary memory, B – RAM, C – Control Unit
(3) A – RAM, B – Secondary memory, C – Control Unit
(4) A – Secondary memory, B – Control Unit, C – RAM
25. Microcomputers are also called
(1) personal computers (2) supercomputers
(3) laptop computers (4) none of these

26. The information on a computer is stored in
 (1) files and folders (2) windows and desktop
 (3) drives and disks (4) none of these
27. The place of temporary storage in a computer is
 (1) a file (2) a window
 (3) a drive (4) none of these
28. MS Word indicates a spelling error by underlining the text with
 (1) a green wavy line (2) a red wavy line
 (3) a red dot (4) none of these
29. All formulas in Excel begin with
 (1) an equal to sign (2) a plus sign
 (3) a multiplication sign (4) none of these
30. Office Automation covers the use of
 (1) Computers (2) Workstations
 (3) Terminal (4) All the above
31. In Windows environment, the file once deleted can be restored from:
 (1) My Documents (2) Recycle bin
 (3) Trash Can (4) None of these
32. An MS Excel file automatically gets the file extension
 (1) .doc (2) .file
 (3) .excel (4) none of these
33. A modem is connected in between a telephone line and a :
 (1) Communication adapter (2) Computer
 (3) Network (4) None of these
34. Use of IC was started in _____ generation of computer
 (1) Second (2) Third
 (3) Fourth (4) None of these
35. Which is not a system software?
 (1) Windows (2) MS-Word
 (3) Unix (4) None of these

Use the following information to answer the questions 36 to 39. Sanjana uses the search engine for having information about the Olympiads.

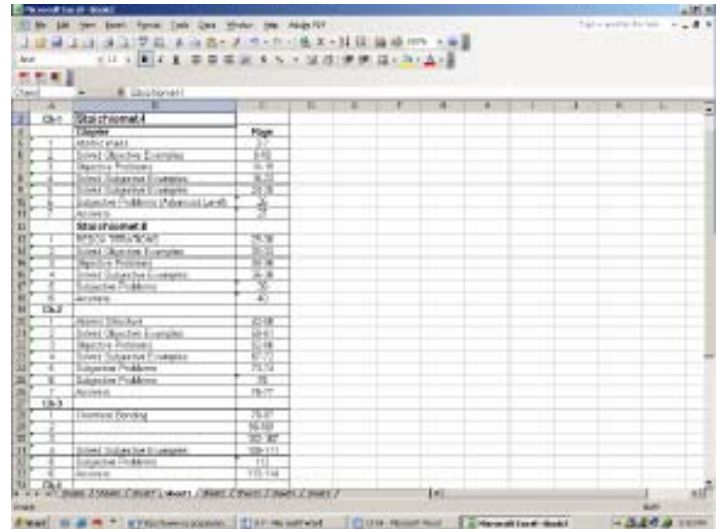


36. Which of the following hyperlink is **active**?
 (1) Eduheal Foundation
 (2) Young Scientist Activity Books
 (3) Class – 1
 (4) None of these

37. Status bar displays
 (1) <http://www.eduhealfoundation.org/science1.aspx>
 (2) <http://www.eduhealfoundation.org/science/class1.pdf>
 (3) both (1) and (2)
 (4) none of these
38. If she clicks on Class – 1 what will happen?
 (1) Class 1 related document will open
 (2) Whole website will be closed
 (3) Nothing will be opened
 (4) none of these
39. She wants to go back to her search engine type box. What she has to do?
 (1) Click B (2) Click A
 (3) Click C (4) None of these
40. Clipart is a collection of
 (1) Pictures (2) Fonts
 (3) Styles (4) None of these

ETG INTERACTIVE SECTION

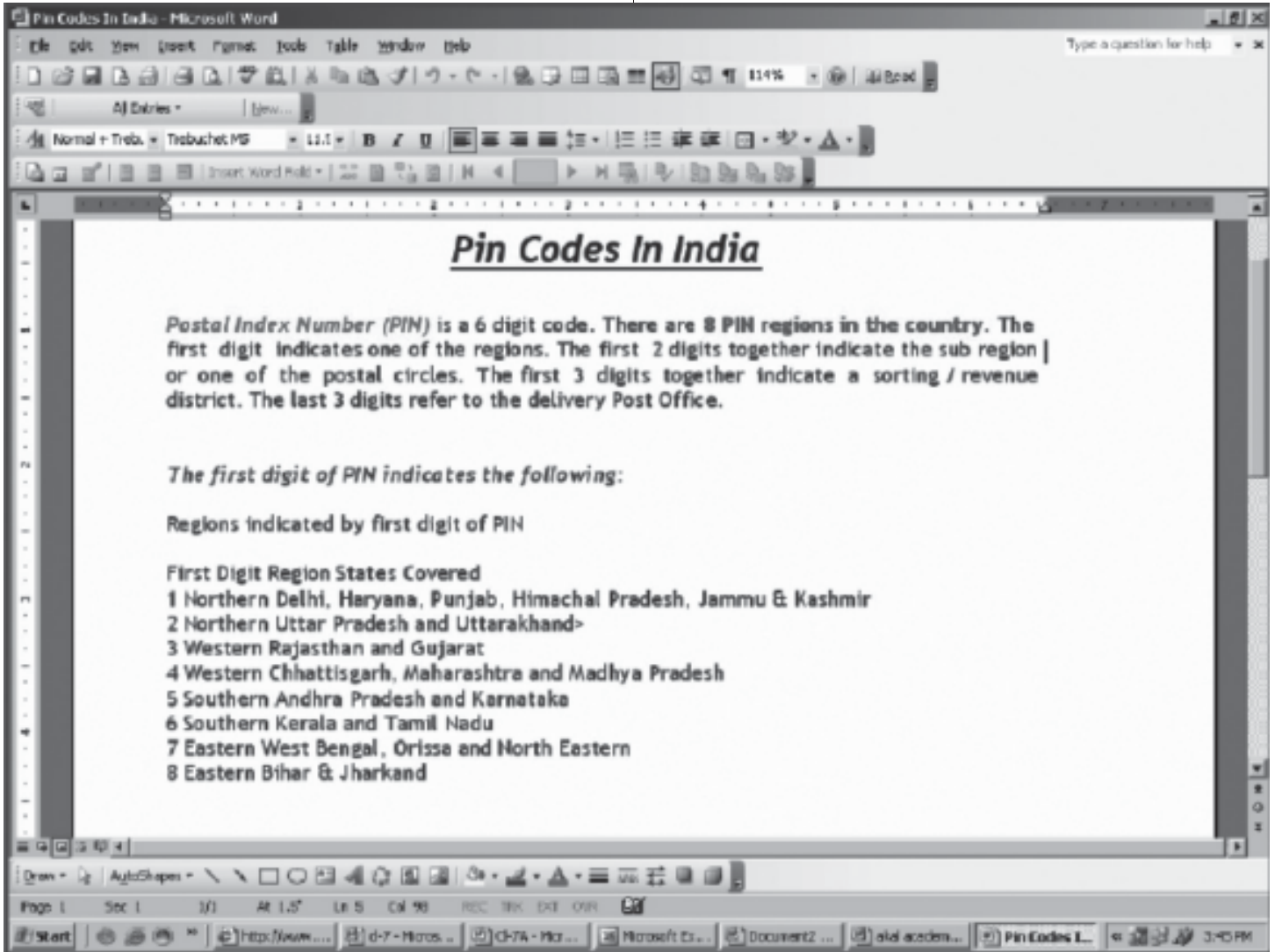
Look at the window and answer the questions 41-44.



41. The Name Box in MS-Excel :
 (1) Shows the location of the previously active cell
 (2) Appears to the left of the formula bar
 (3) Appears below the status bar
 (4) None of these
42. What is the difference between a worksheet and a workbook?
 (1) A workbook can contain many worksheets
 (2) A worksheet can contain many workbooks
 (3) They are really the same thing
 (4) None of these
43. To move to the first cell in the worksheet, you can press:
 (1) Alt + Home (2) Shift + Home
 (3) Ctrl + Home (4) None of these
44. In a spread sheet the columns are labelled as characters. These characters are _____.
 (1) i, ii, iii, iv, (2) 1, 2, 3, 4, 5,
 (3) A, B, C, D, (4) None of these

45. Which of the following statement is not true about impact printers?
- (1) it is high quality printers
 - (2) it is an old printer
 - (3) it prints one character at a time
 - (4) None of these
46. First computer in India was manufactured by :
- (1) CMC
 - (2) ECIL
 - (3) BEL
 - (4) None of these

Look at the window and answer questions 47-50.



47. In Ms-Word, What is the keyboard shortcut to active **File** Menu?
- (1) Ctrl + F
 - (2) Alt + F
 - (3) Shift + F
 - (4) None of these
48. To view smaller text on the screen, you can :
- (1) Decrease the editing percentage
 - (2) Increase the editing percentage
 - (3) Decrease the view percentage
 - (4) None of these
49. In MS-Word, Ctrl + E is used to centralize a paragraph, what key combinations is used to justify a paragraph?
- (1) Ctrl + J
 - (2) Ctrl + L
 - (3) Ctrl + R
 - (4) None of these
50. Several toolbars are available in Word. Some of the more common ones are the:
- (1) Standard, Windows, Formatting
 - (2) Drawing, Standard, Formatting
 - (3) Font, Table, Spelling
 - (4) None of these



END OF THE EXAM